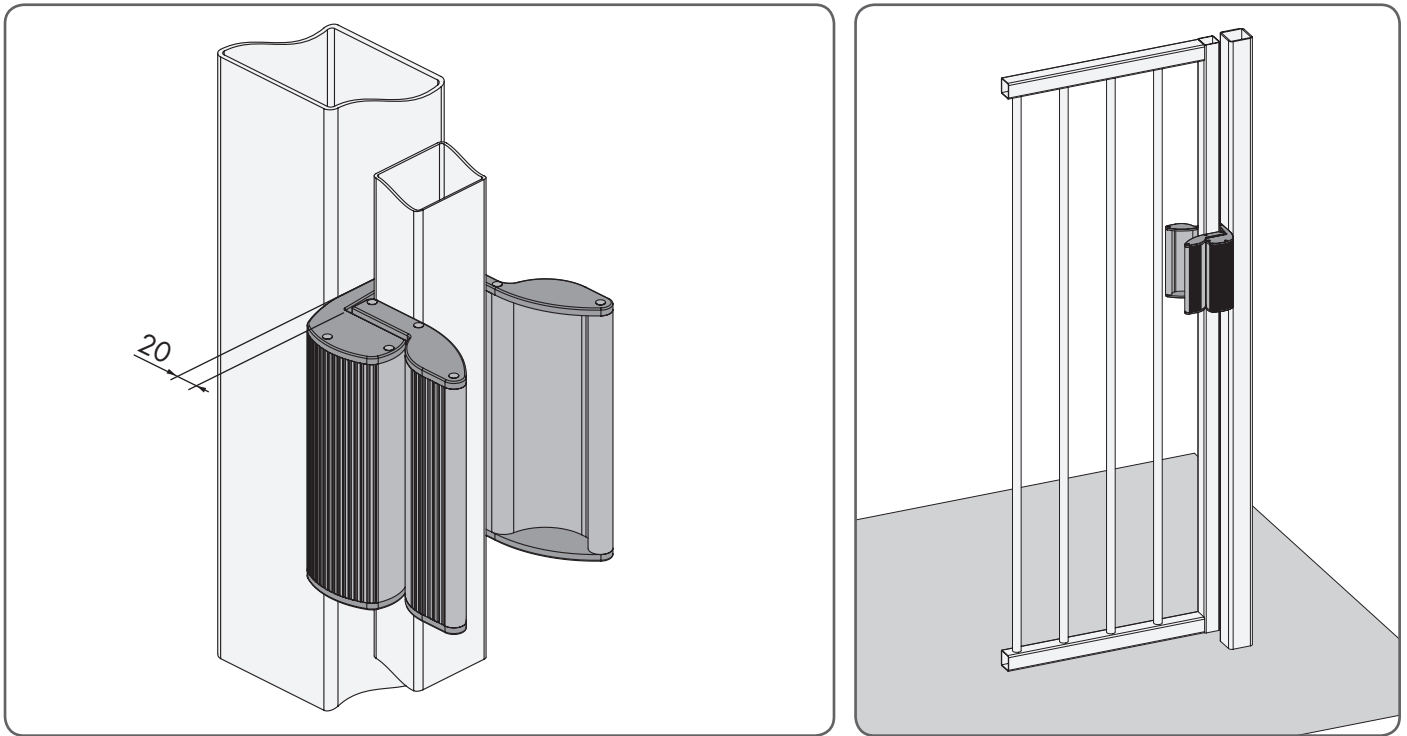


# LOCINOX<sup>®</sup>

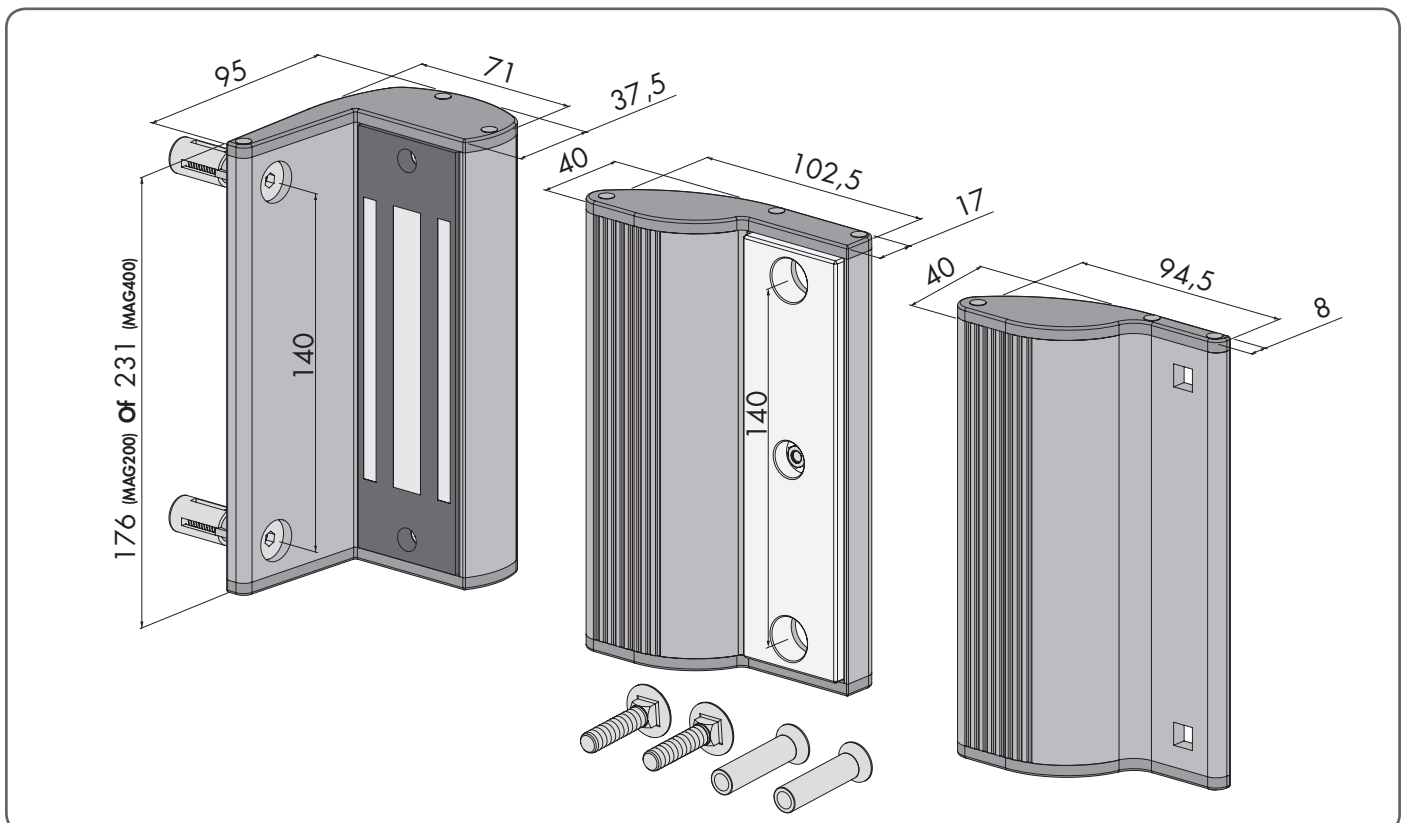
WWW.LOCINOX.COM

**CODE: MAG2000 / MAG4000**

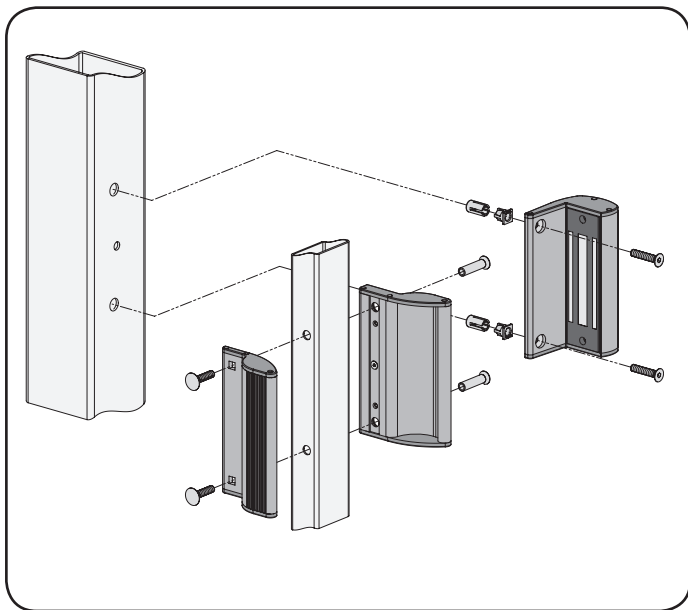
## ① OVERVIEW



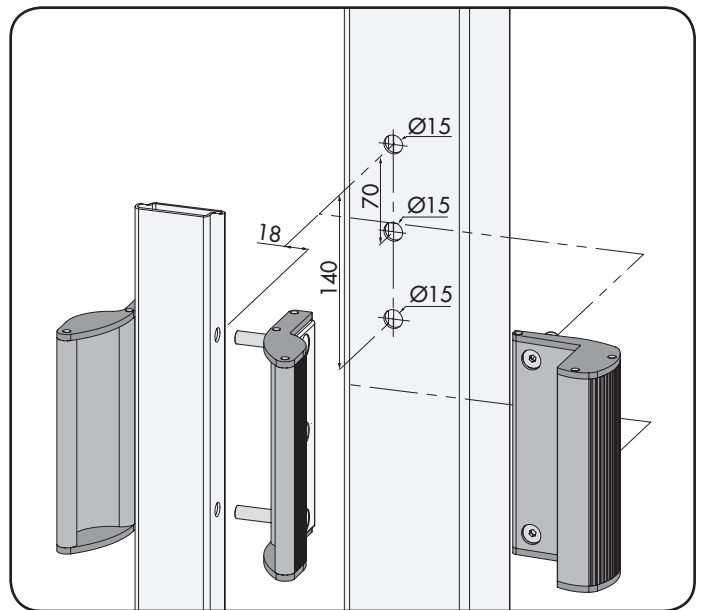
## ② PACKAGE CONTENT & DIMENSIONS



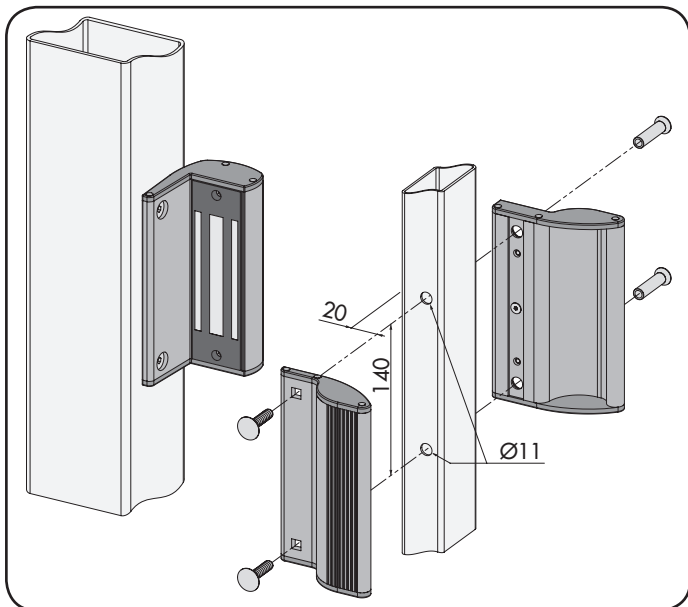
③ EXPLOSION



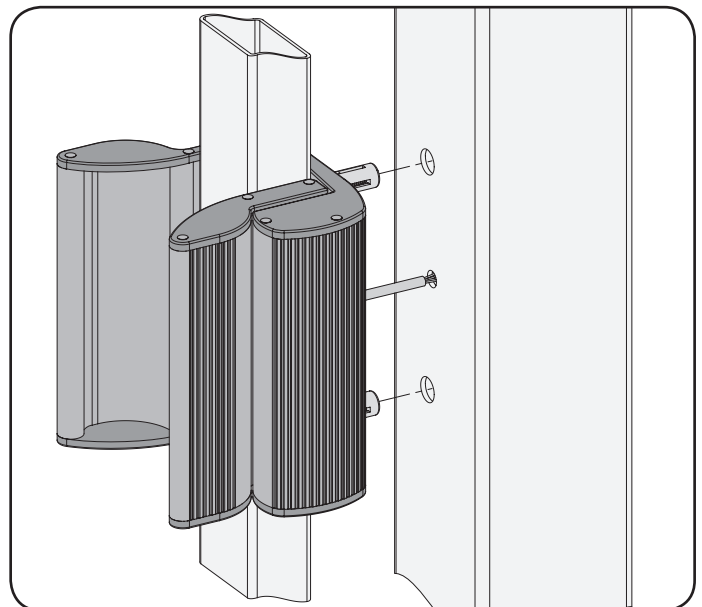
④ POST PREPARATION



⑤ GATE PREPARATION



⑥ MOUNTING



⑦ 12V DC - SITUATION

Specifications	MAG2000	MAG4000
Voltage	12 V DC	12 V DC
Current	0,4 A	0,4 A
Power	4,8 W	4,8 W
Holding Force	200 Kg	400 Kg
	2000 N	4000 N
	400 lbs	800 lbs

⑧ 24V DC - SITUATION

Specifications	MAG2000	MAG4000
Voltage	24 V DC	24 V DC
Current	0,2 A	0,2 A
Power	4,8 W	4,8 W
Holding Force	200 Kg	400 Kg
	2000 N	4000 N
	400 lbs	800 lbs

**LOCINOX**<sup>®</sup>  
WWW.LOCINOX.COM

Doc. Nr.: MANU-000043



Locinox nv • Mannebeekstraat 21 • B-8790 Waregem • Belgium - Europe  
Tel. +32 (0)56 77 27 66 • Fax. +32 (0)56 77 69 26 • E-mail: locinox@locinox.com