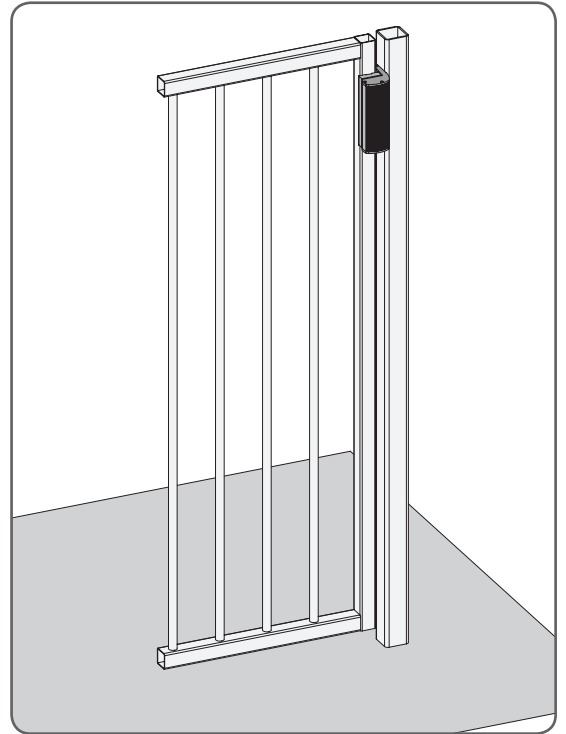
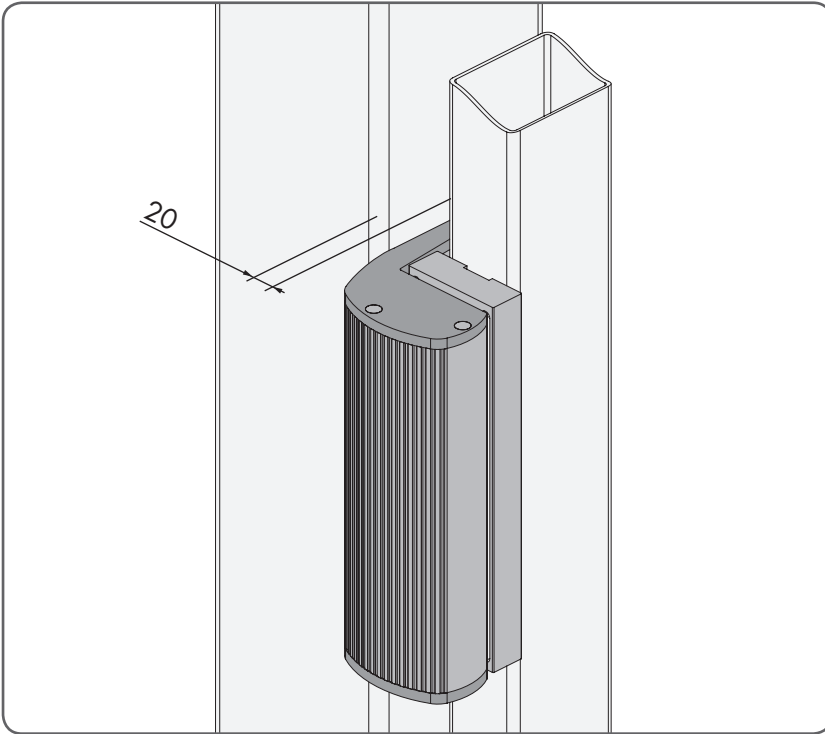


LOCINOX[®]

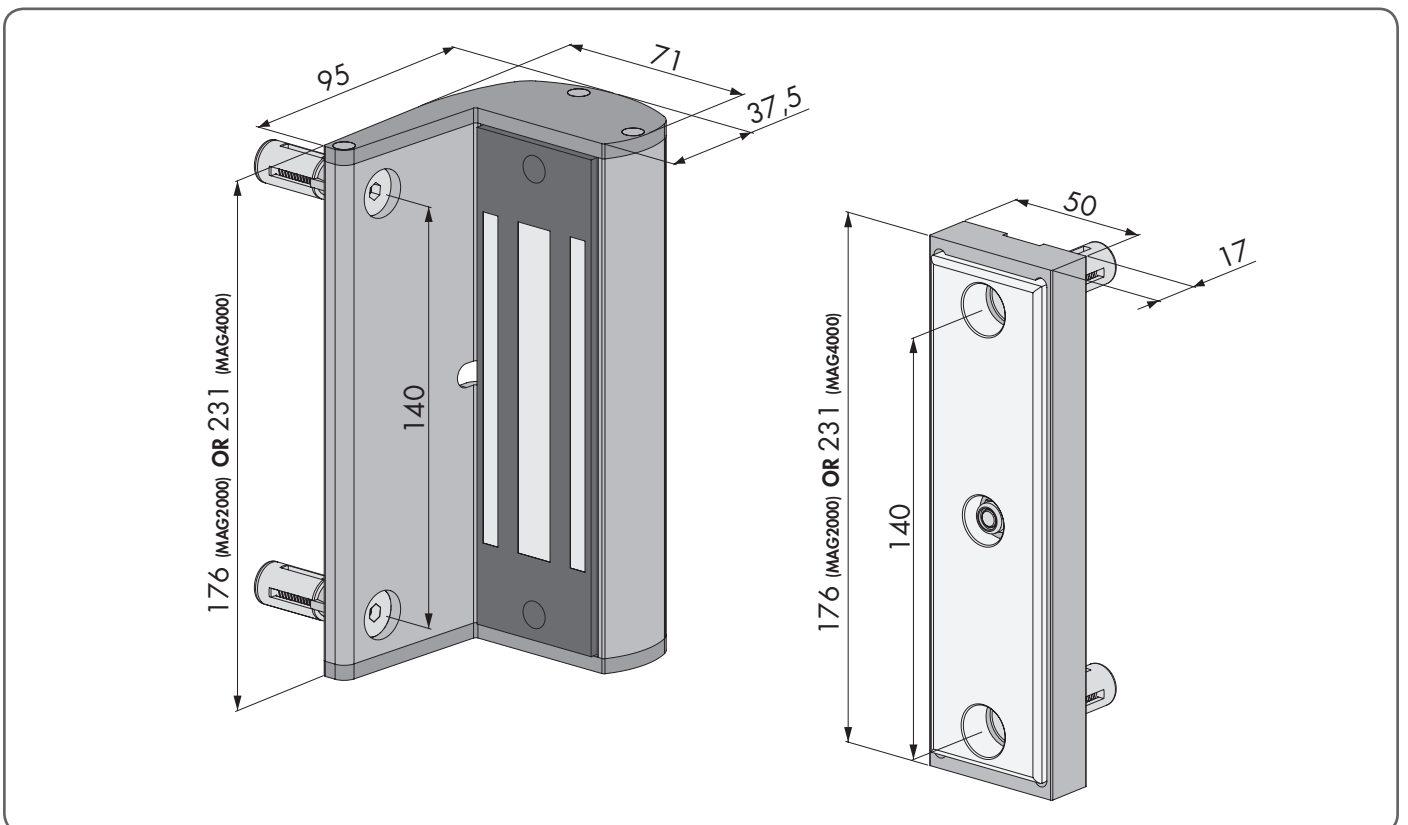
WWW.LOCINOX.COM

CODE: MAGMAG2000 / MAGMAG4000

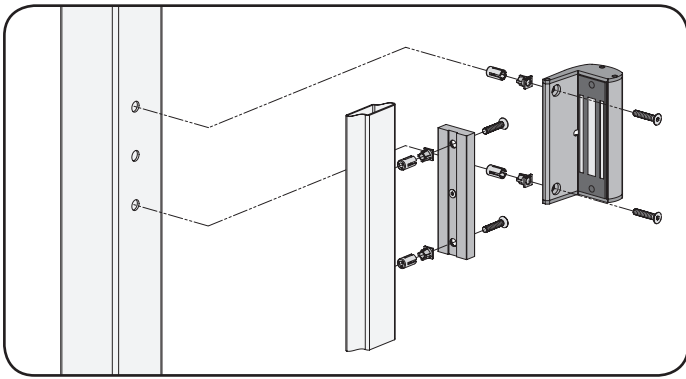
① OVERVIEW



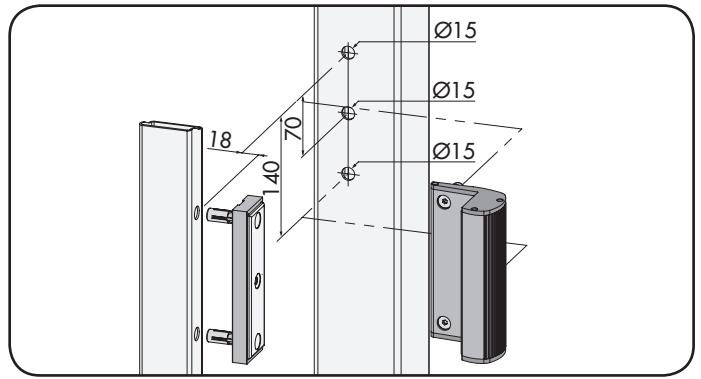
② PACKAGE CONTENT & DIMENSIONS



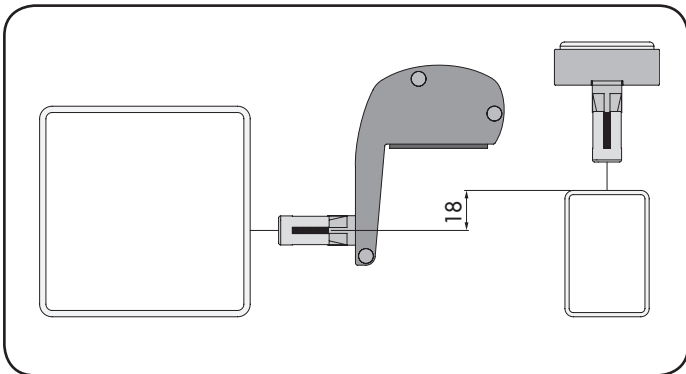
③ EXPLOSION



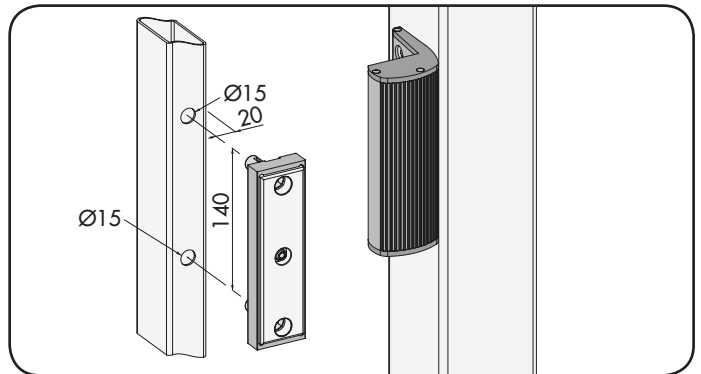
④ POST PREPARATION (a)



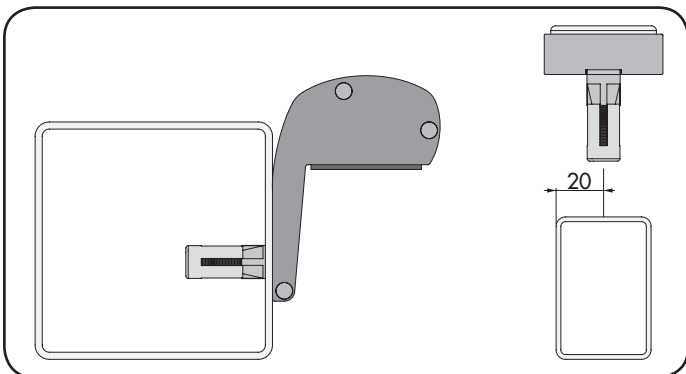
④ POST PREPARATION (b)



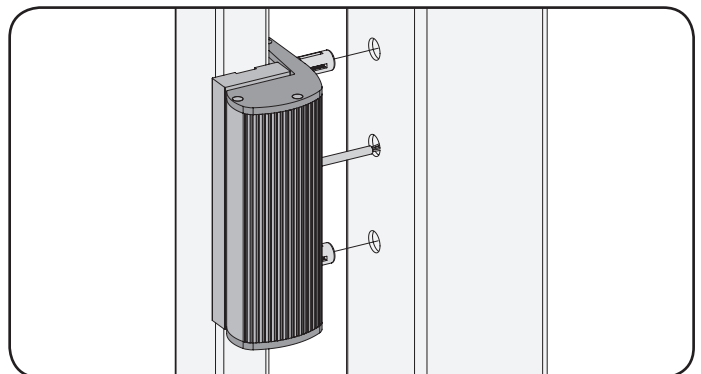
⑤ GATE PREPARATION (a)



⑤ GATE PREPARATION (b)



⑥ MOUNTING



⑦ 12V DC - SITUATION

| Specifications | MAG2000 | MAG4000 |
|----------------|---------|---------|
| Voltage | 12 V DC | 12 V DC |
| Current | 0,4 A | 0,4 A |
| Power | 4,8 W | 4,8 W |
| Holding Force | 200 Kg | 400 Kg |
| | 2000 N | 4000 N |
| | 400 lbs | 800 lbs |

⑧ 24V DC - SITUATION

| Specifications | MAG2000 | MAG4000 |
|----------------|---------|---------|
| Voltage | 24 V DC | 24 V DC |
| Current | 0,2 A | 0,2 A |
| Power | 4,8 W | 4,8 W |
| Holding Force | 200 Kg | 400 Kg |
| | 2000 N | 4000 N |
| | 400 lbs | 800 lbs |

LOCINOX[®]
WWW.LOCINOX.COM

Doc. Nr.: MANU-000053



Locinox nv • Mannebeekstraat 21 • B-8790 Waregem • Belgium - Europe
Tel. +32 (0)56 77 27 66 • Fax. +32 (0)56 77 69 26 • E-mail: locinox@locinox.com

* M A N U - 0 0 0 0 5 3 *