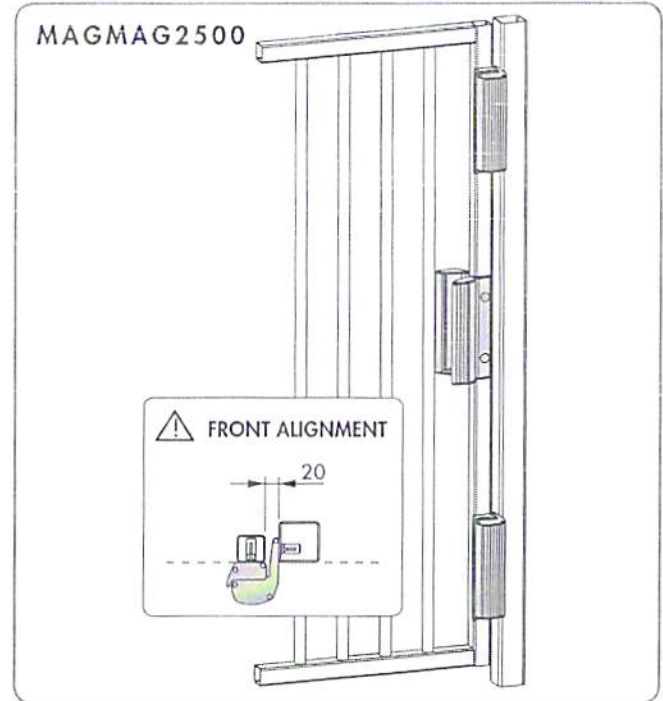
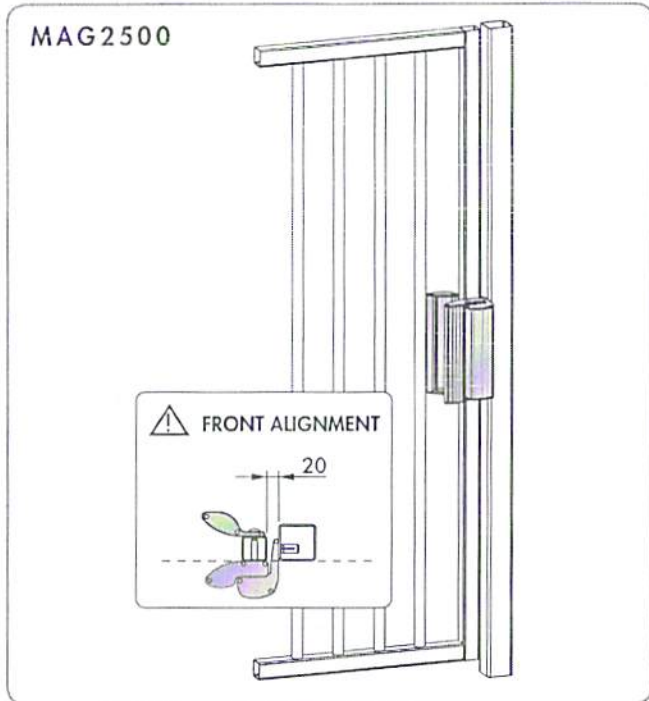


LOCINOX®

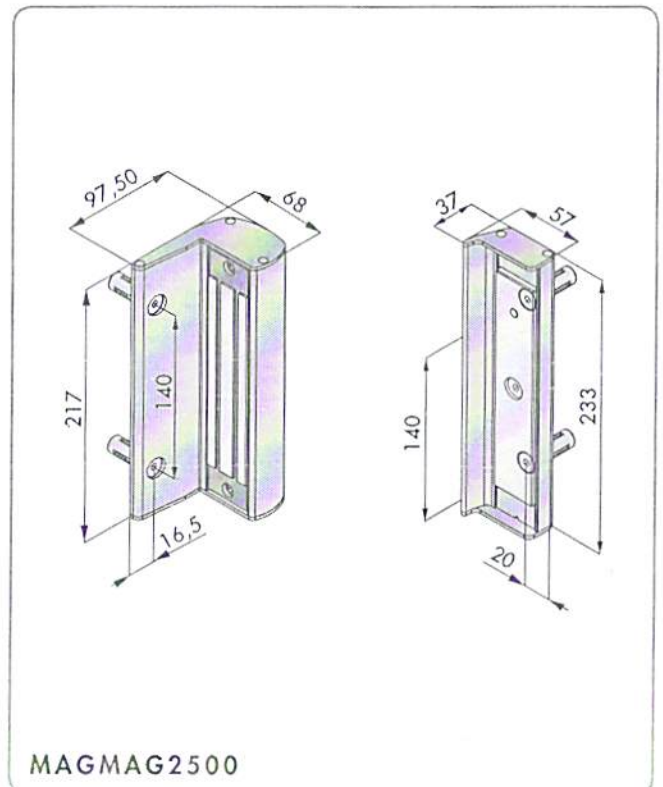
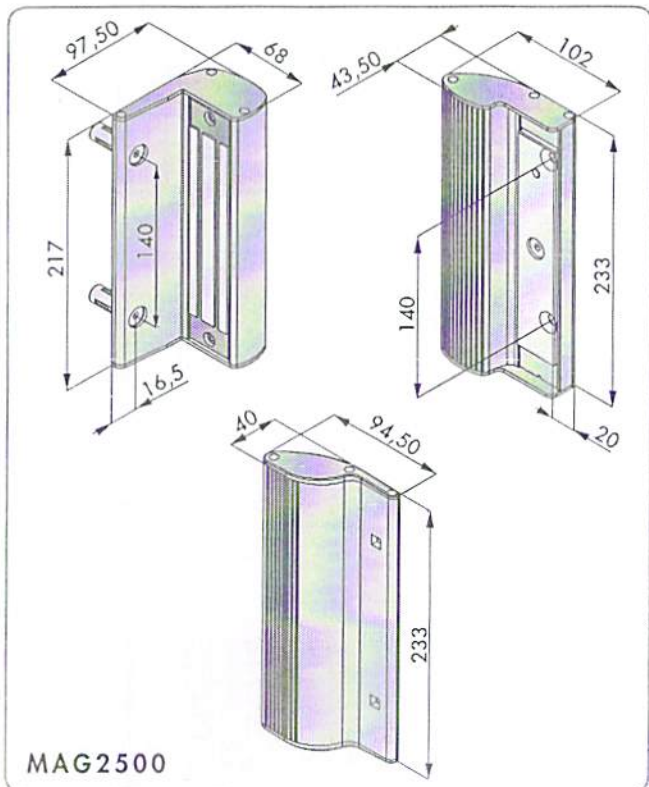
WWW.LOCINOX.COM

CODE: MAG2500 / MAGMAG2500

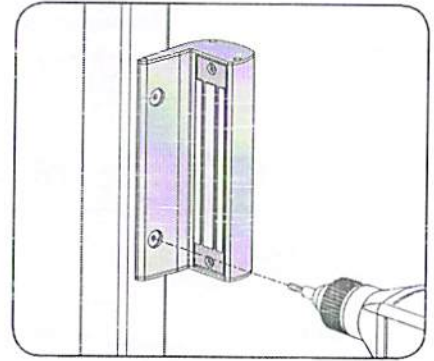
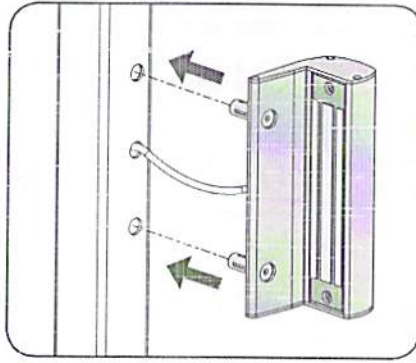
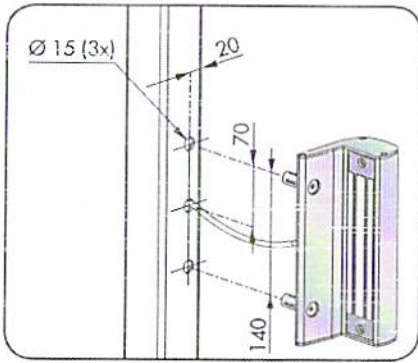
① OVERVIEW



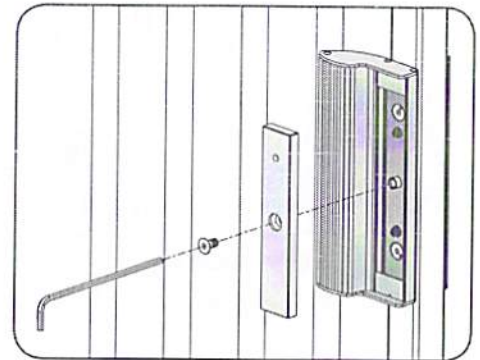
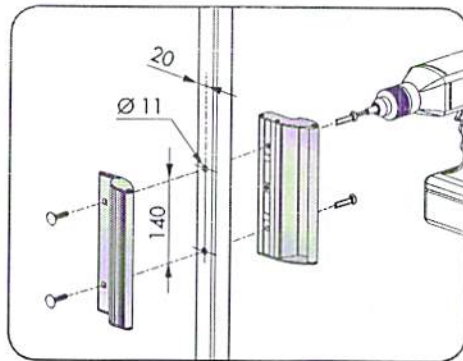
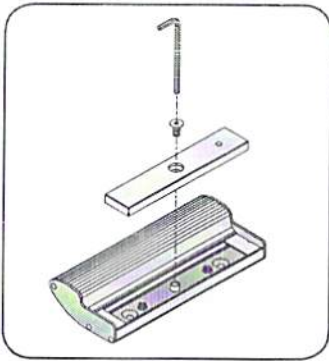
② PACKAGE CONTENT & DIMENSIONS



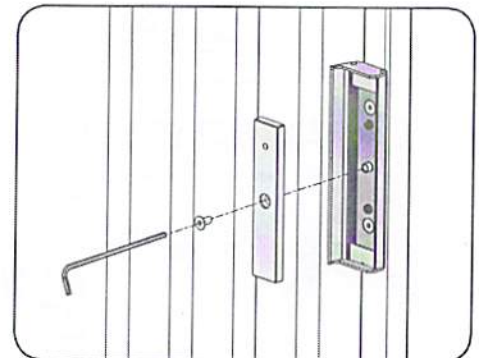
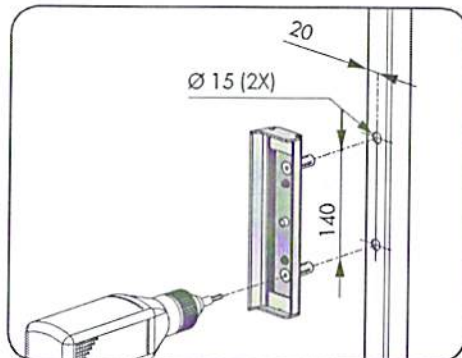
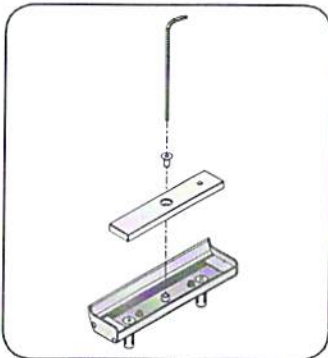
③ MAGNET POST PREPARATION AND MOUNTING



4a) MAG2500 GATE PREPARATION AND MOUNTING



4b) MAGMAG2500 GATE PREPARATION AND MOUNTING



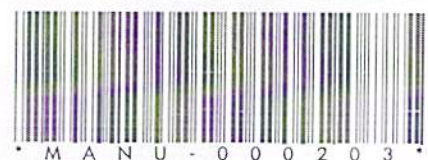
⑤ 12 AND 24V DC - SITUATION

Voltage	12 V DC	Holding Force	250 Kg
Current	0,47 A		2500 N
Power	4,8 W		550 lbs

Voltage	24 V DC	Holding Force	250 Kg
Current	0,23 A		2500 N
Power	4,8 W		550 lbs

LOCINOX®

Doc. Nr.: MANU-000203



* M A N U - 0 0 0 2 0 3 *