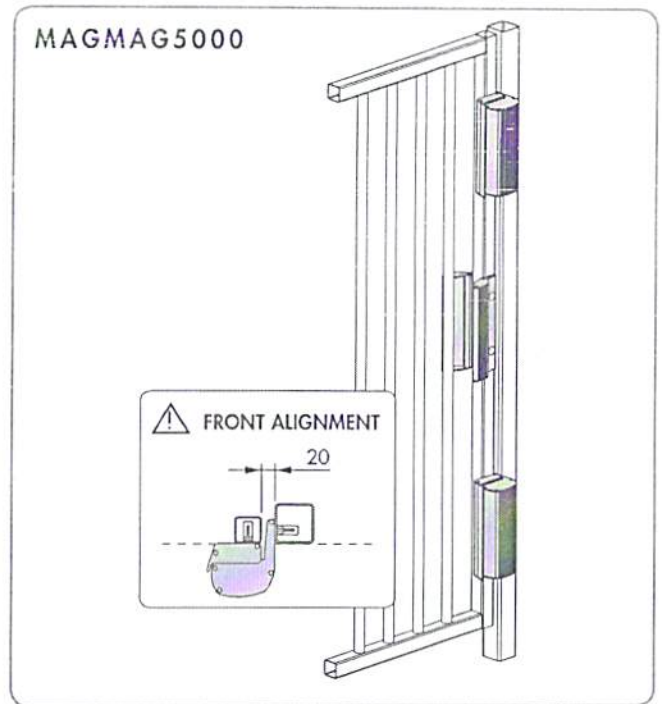
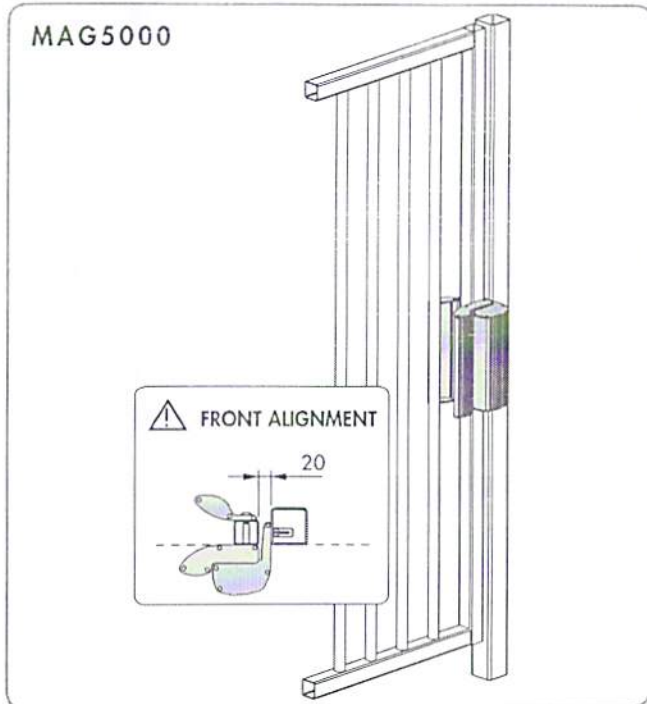


# LOCINOX®

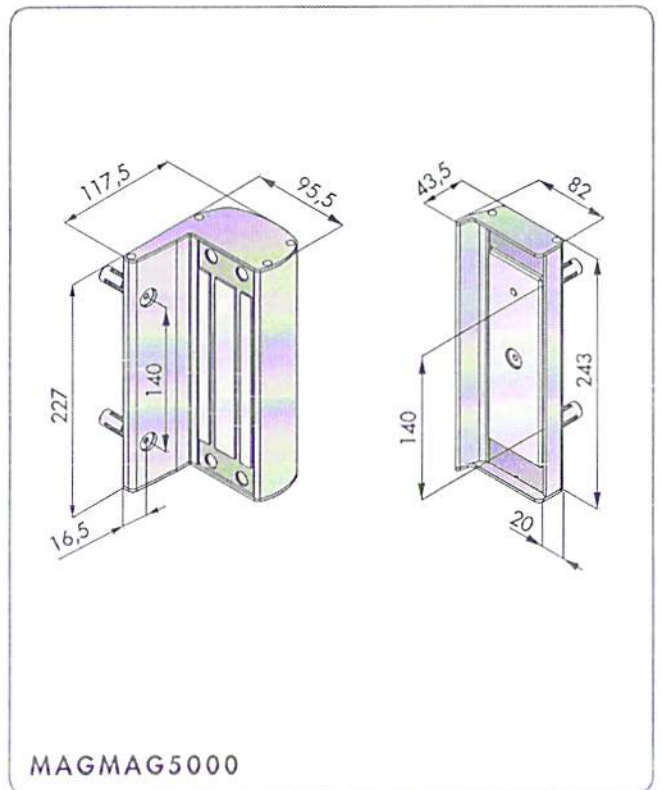
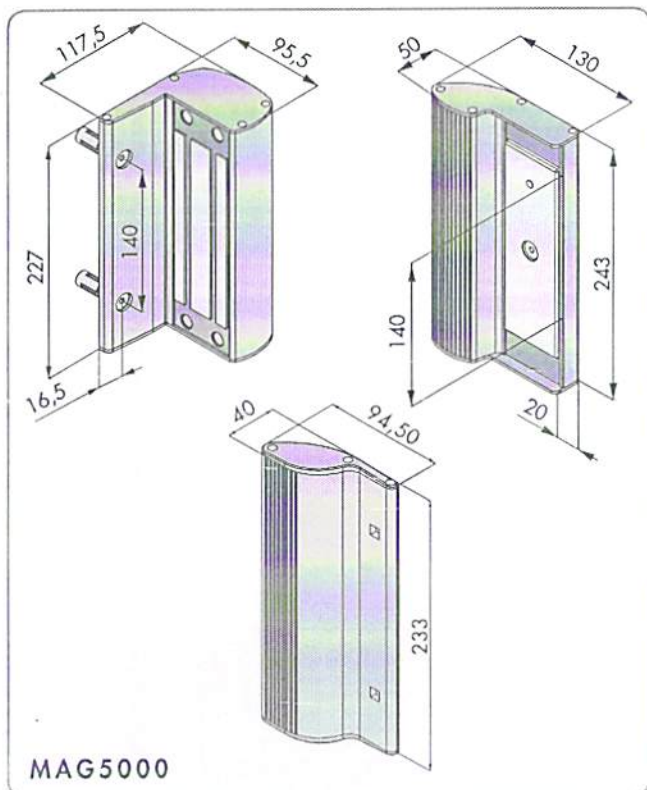
WWW.LOCINOX.COM

**CODE: MAG5000 / MAGMAG5000**

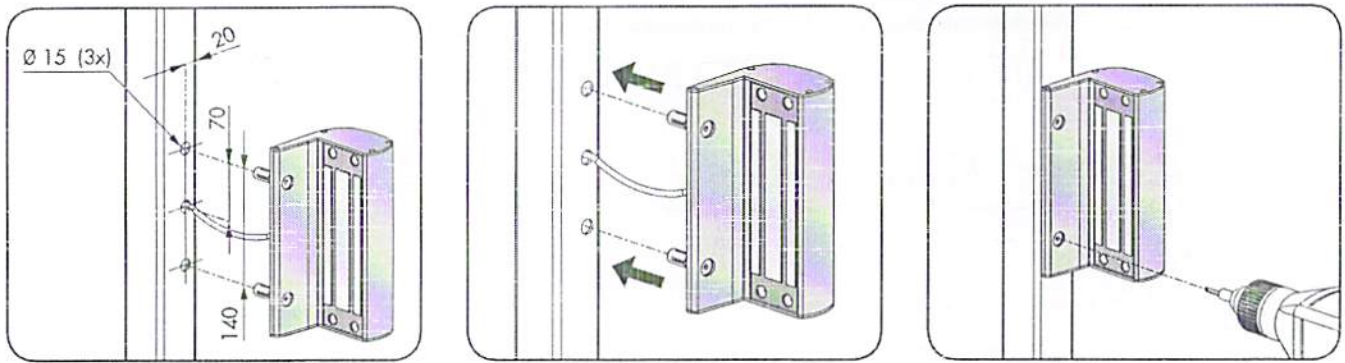
## ① OVERVIEW



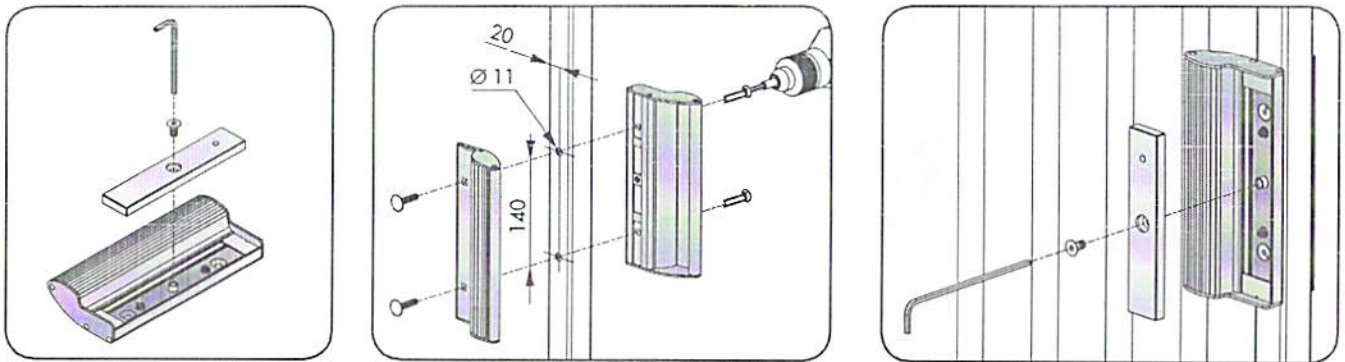
## ② PACKAGE CONTENT & DIMENSIONS



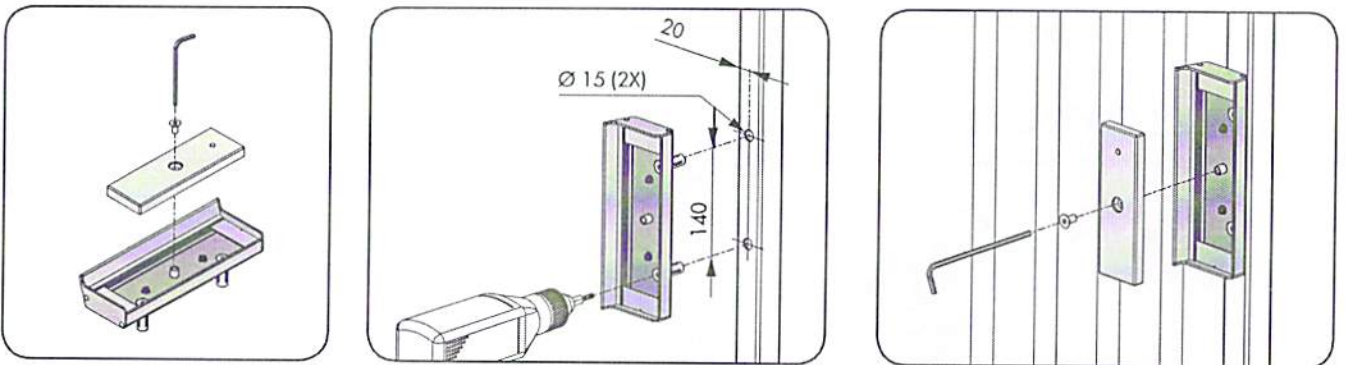
### ③ MAGNET POST PREPARATION AND MOUNTING



### ④a MAG5000 GATE PREPARATION AND MOUNTING



### ④b MAGMAG5000 GATE PREPARATION AND MOUNTING



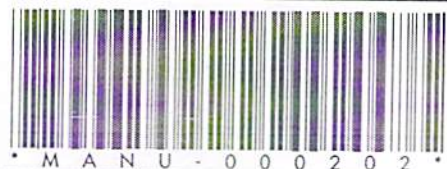
### ⑦ 12 AND 24V DC - SITUATION

Voltage	12 V DC	Holding Force	500 Kg
Current	0,47 A		5000 N
Power	4,8 W		1100 lbs

Voltage	24 V DC	Holding Force	500 Kg
Current	0,23 A		5000 N
Power	4,8 W		1100 lbs

**LOCINOX**®

Doc. Nr.: MANU-000202



\* M A N U - 0 0 0 2 0 2 \*