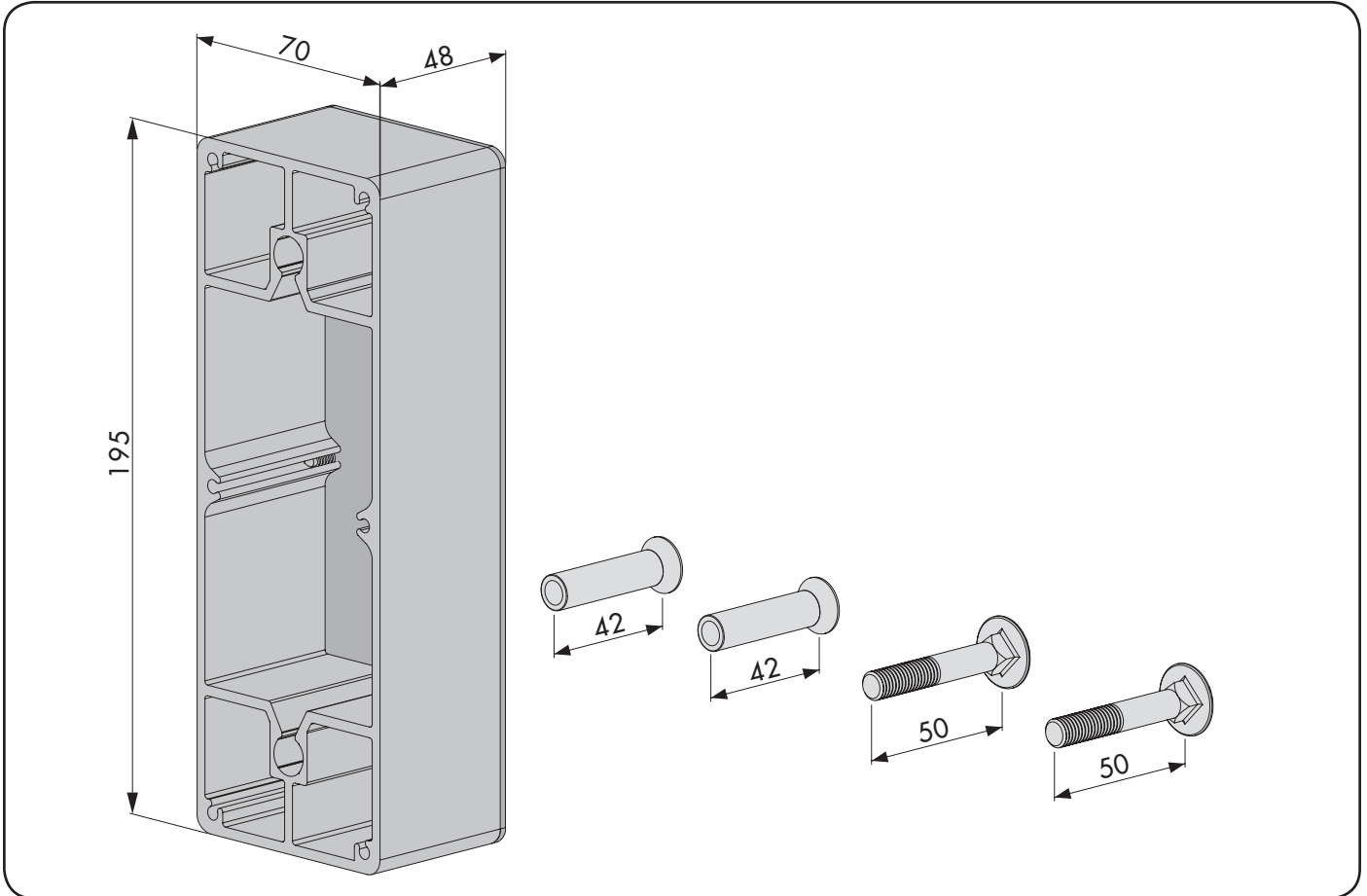


# LOCINOX<sup>®</sup>

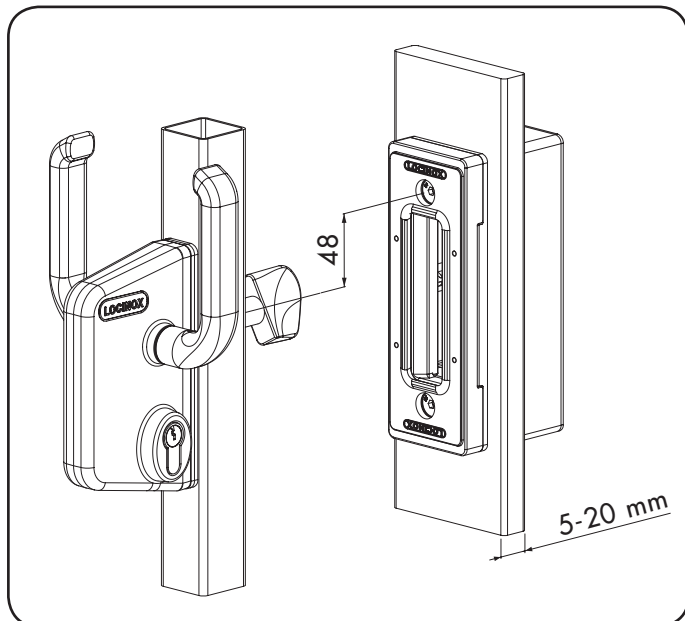
WWW.LOCINOX.COM

**CODE: O-SET**

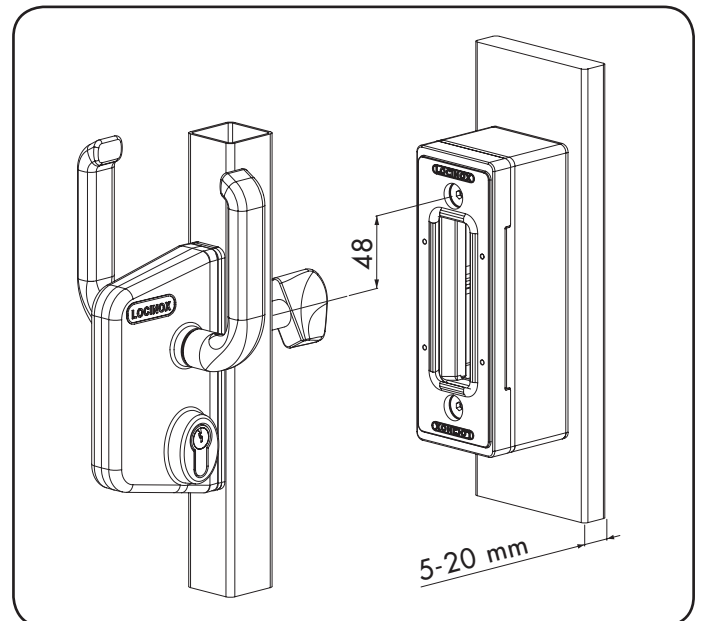
① Package content & Dimensions



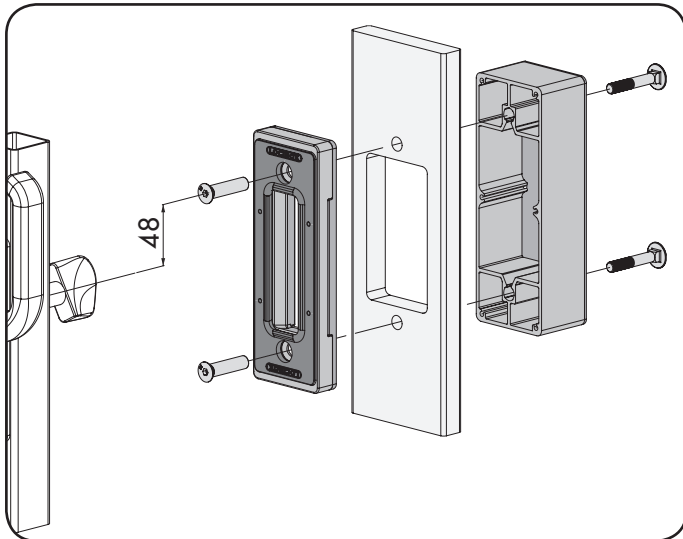
② O-SET - Mounted behind a flat profile



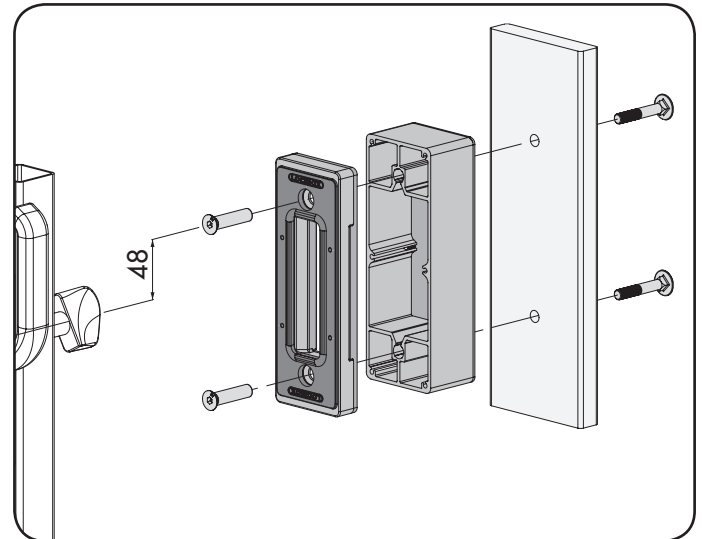
O-SET - Mounted before a flat profile



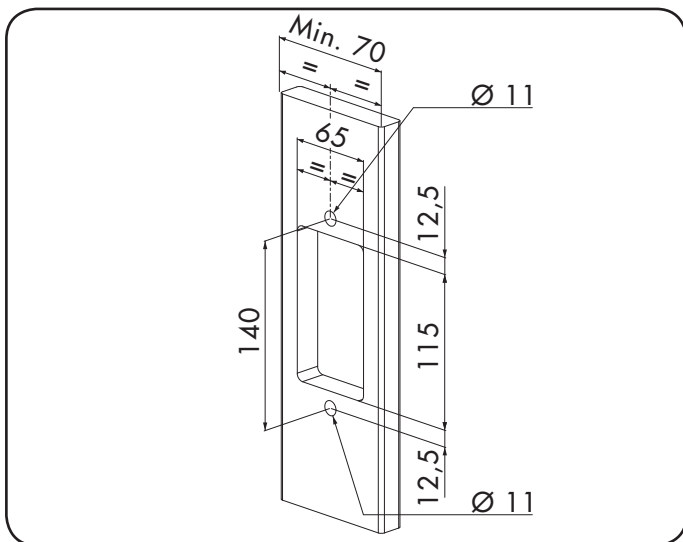
③ Mounting O-SET behind a flat profile



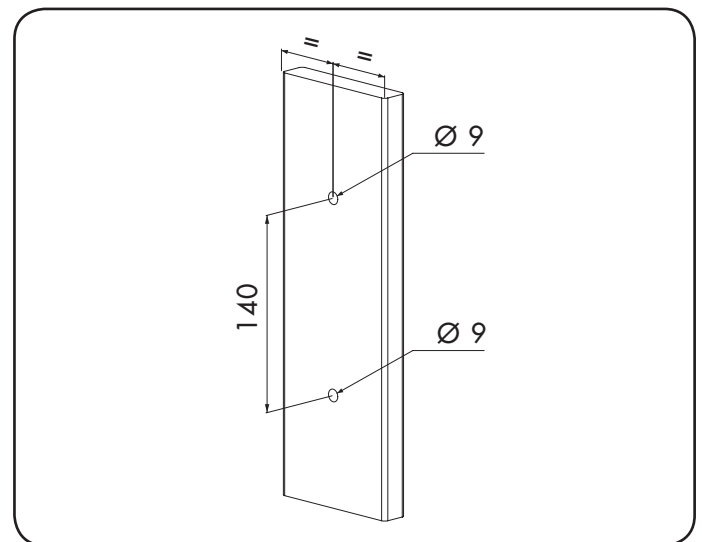
Mounting O-SET before a flat profile



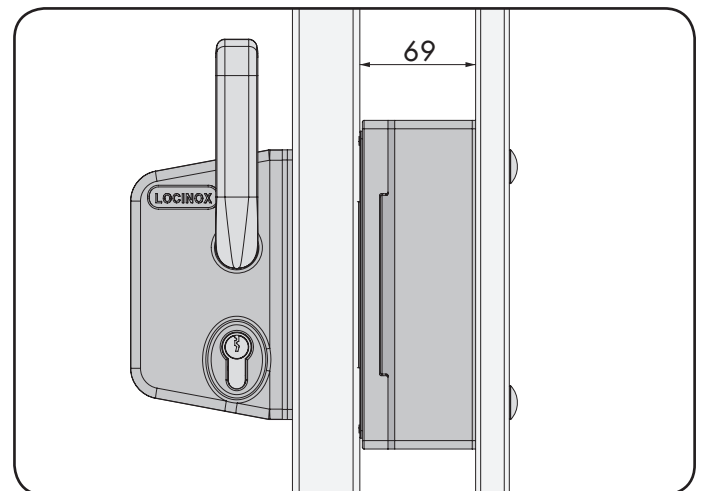
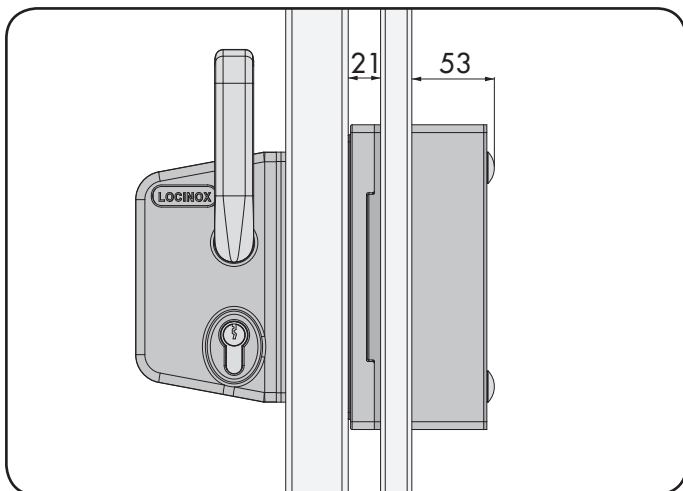
④ Profile preparation behind a flat profile



Profile preparation before a flat profile



⑤ Distance Post - Gate



**LOCINOX**<sup>®</sup>  
WWW.LOCINOX.COM

**Doc. Nr.: MANU-000090**



Locinox nv • Mannebeekstraat 21 • B-8790 Waregem • Belgium - Europe  
Tel. +32 (0)56 77 27 66 • Fax. +32 (0)56 77 69 26 • E-mail: locinox@locinox.com