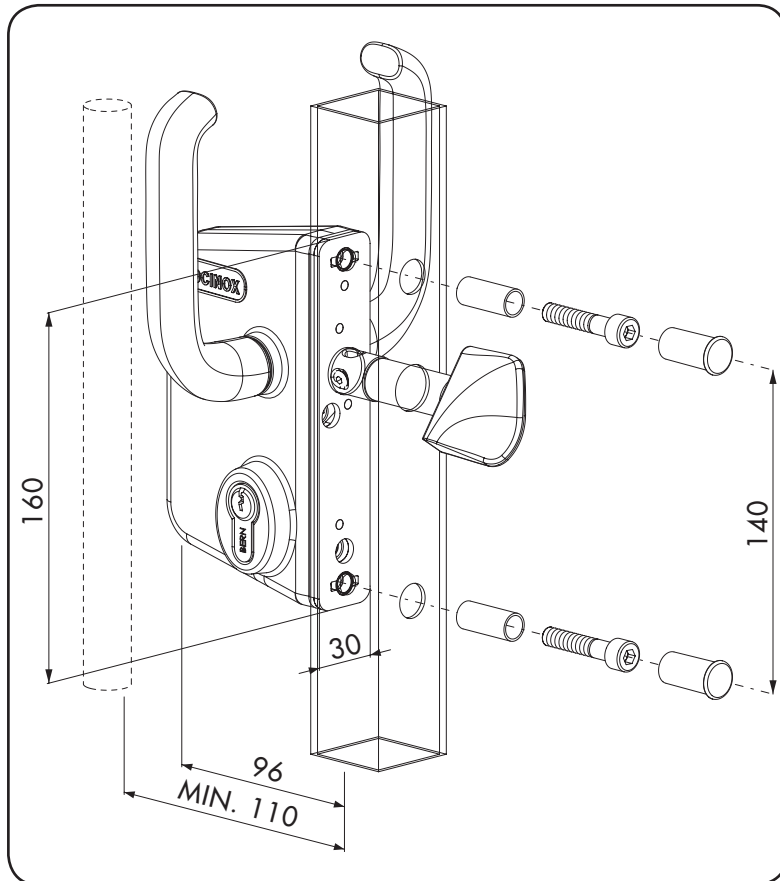
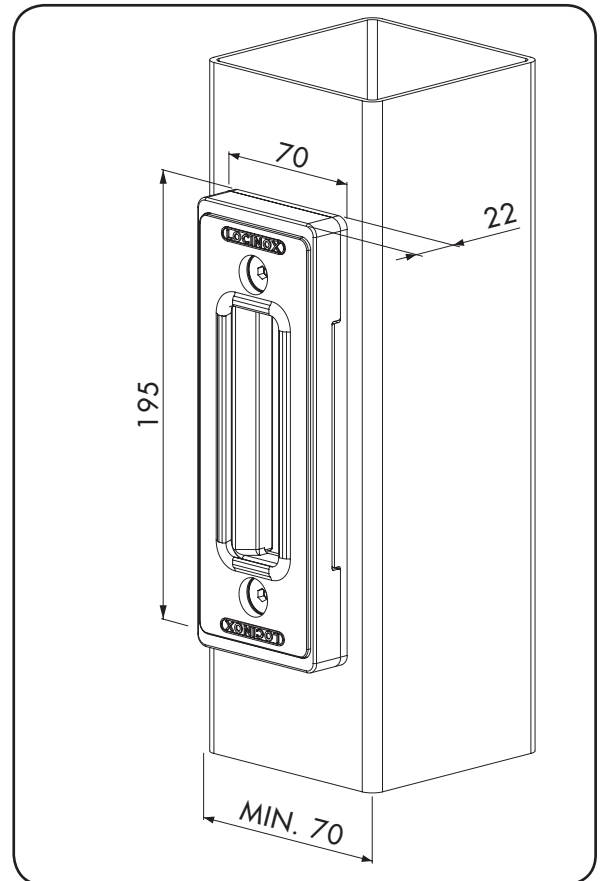


CODE: LSKZ U2

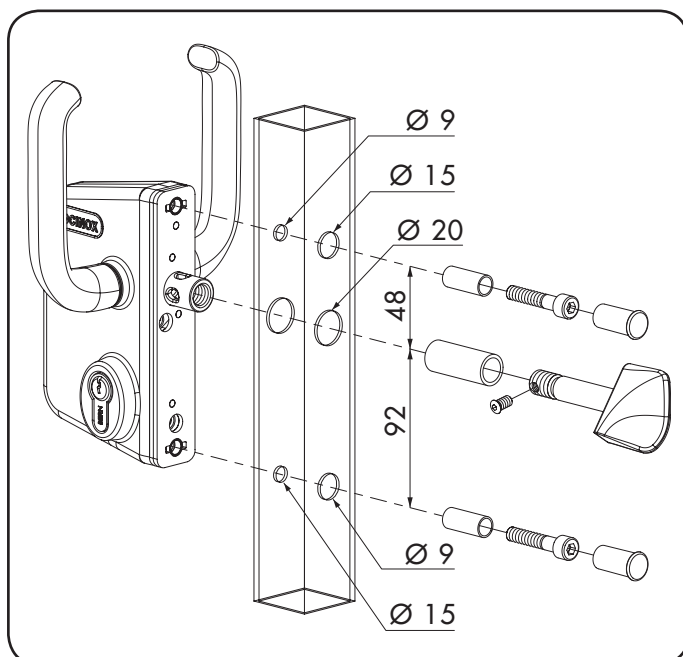
① LSKZ U2 - Dimensions



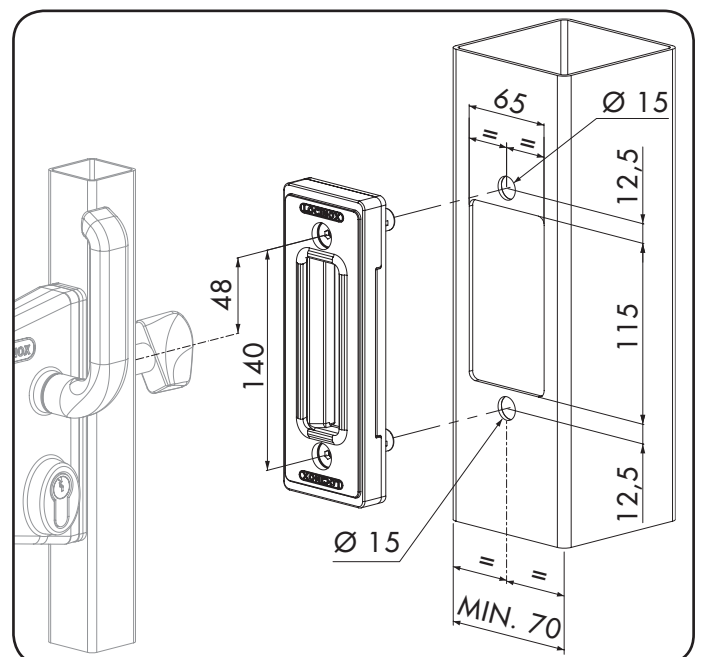
② SSKZ QF - Dimensions



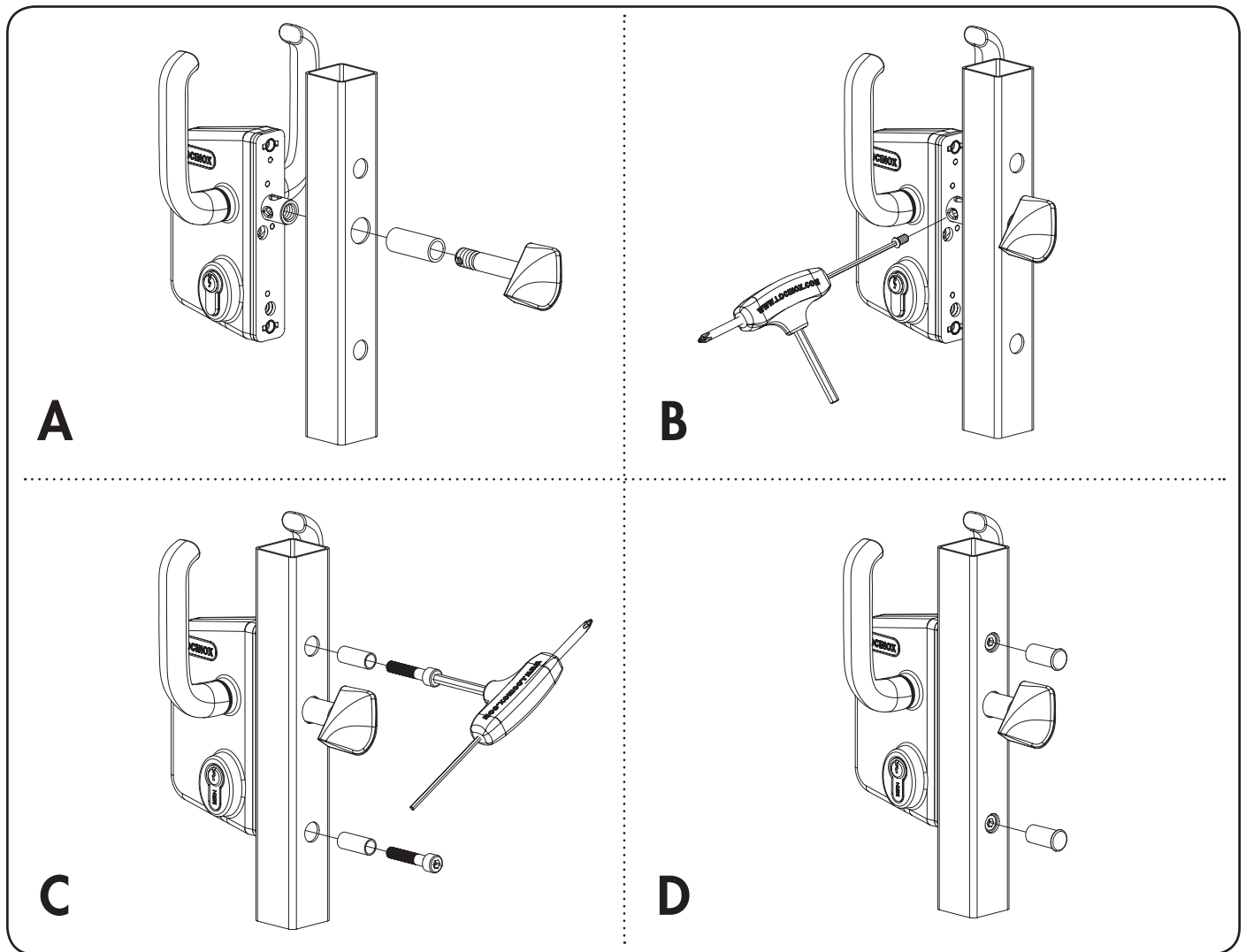
③ Profile preparation LSKZ U2



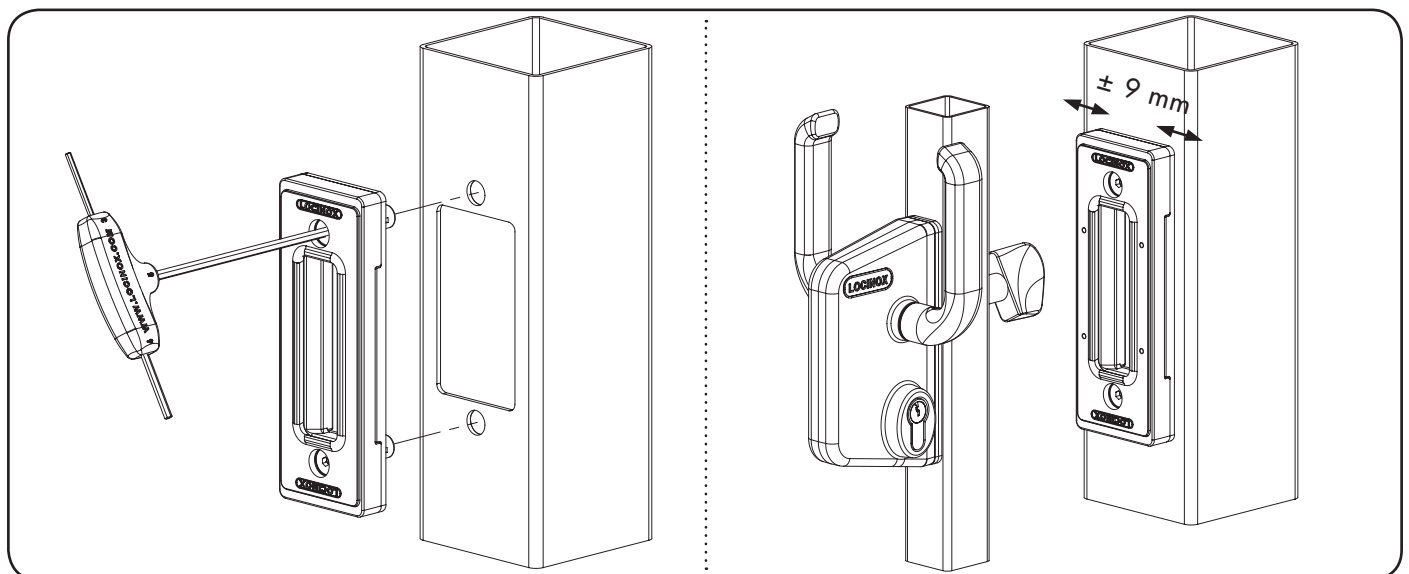
④ Profile preparation SSKZ QF



⑤ Montage LSKZ U2



⑥ Features SSKZ QF



LOCINOX[®]
WWW.LOCINOX.COM

Doc. Nr.: MANU-000064



Locinox nv • Mannebeekstraat 21 • B-8790 Waregem • Belgium - Europe
Tel. +32 (0)56 77 27 66 • Fax. +32 (0)56 77 69 26 • E-mail: locinox@locinox.com